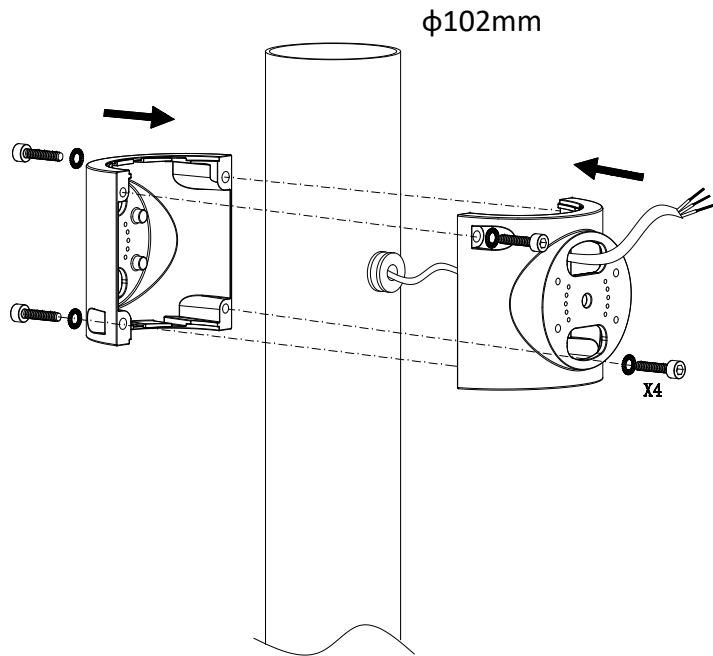


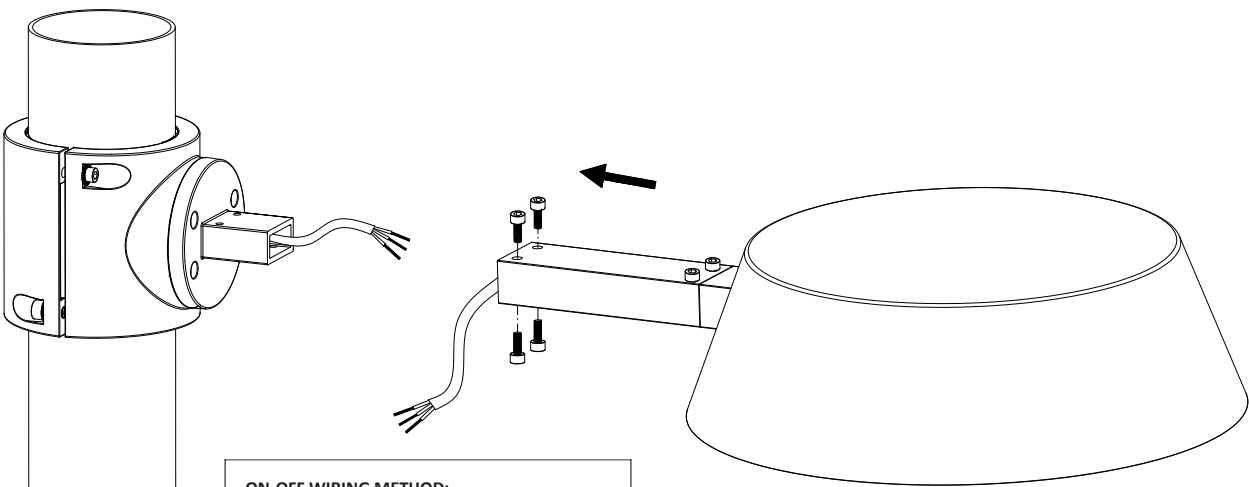
Notes : Do not energize luminaire until installation is completed.
General contractor is responsible for providing appropriate anchoring devices to support load of fixture.

! Risk of fire and electrical shock. Disconnect power at electrical panel before servicing. Fixture must be installed by a qualified electrician only in accordance with national, local building and electrical codes.

1 Drill a 12mm outlet hole and secure the flange with the accompanying screws

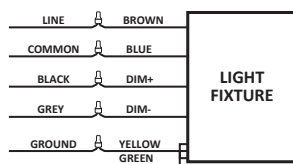


2 Refer to the wiring diagram for wiring and secure the fixture



ON-OFF WIRING METHOD:

Universal voltage driver permits operation at 120V through 277V, 50 or 60HZ.



GROUND (YELLOW GREEN)
NEUTRAL (BLUE)
LINE (BROWN)
DIMMING - (GREY)
DIMMING + (BLACK)